

Contact 6 PLUS Module

NMEA2000
IPX5

Utilising proven CZone digital switching technology the Contact 6 PLUS is a robust and affordable digital switching solution. Featuring 6x 15A solid state ignition protected fused outputs with circuit bypass for system redundancy. The Contact 6 PLUS can be networked into an existing CZone system or installed stand-alone with the CZone Waterproof Keypads or compatible Multi-Function Displays.



Features & Benefits

- » Circuit dimming & smooth start capability
- » Status LED's for all outputs
- » Ultra low current draw
- » Built-in timer functions for circuits like live bait tanks
- » Voltage monitoring on the NMEA2000 Network
- » Built-in Load Shedding allows non-essential loads to be turned off to preserve battery life
- » Built-in default configurations selectable via dip switch
- » Affordable add-on module to larger CZone systems
- » Blown fuse detection and warning

Contact 6 PLUS System

Combine Contact 6 PLUS with the Waterproof Keypad and Smart Harness to achieve a very affordable digital switching system. Simple installation with out-of-the-box plug-and-play configurations, the Contact 6 PLUS System brings powerful and trusted CZone digital switching technology to a very attractive price point.

- » Low cost digital switching system
- » Simple installation
- » Greater reliability with fewer connections



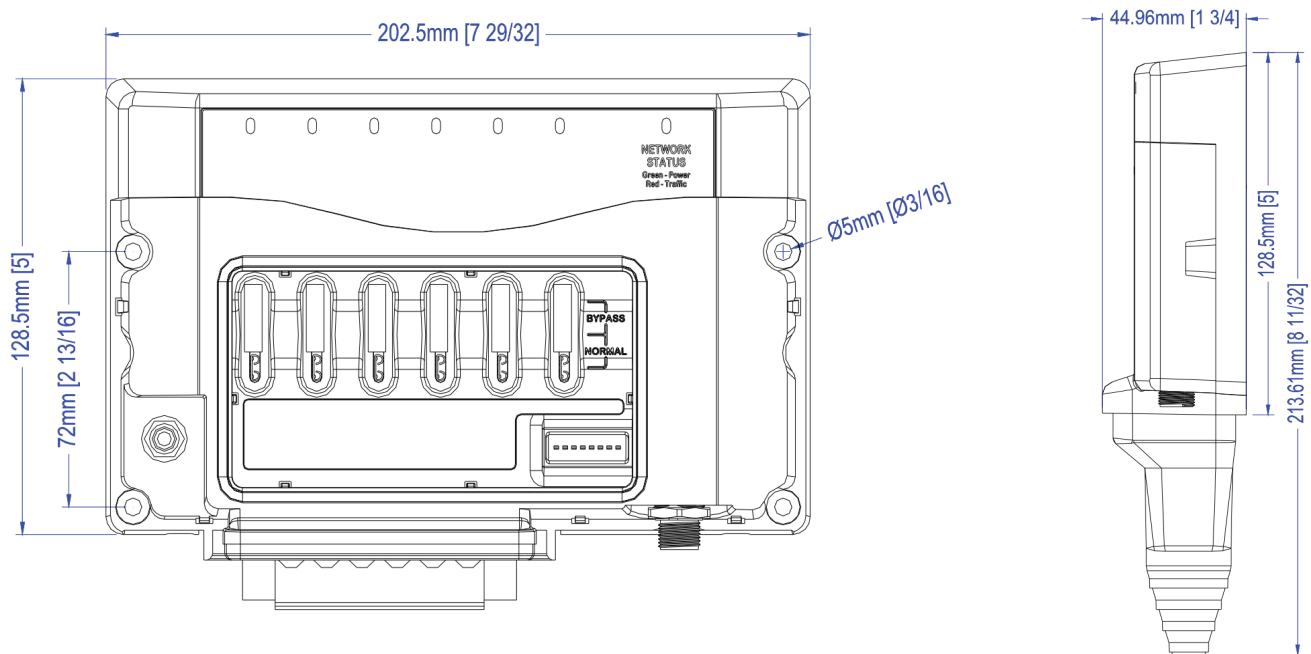
Part Numbers

80-911-0160-00	CZONE CONTACT 6 PLUS INTERFACE
80-911-0162-00	CZONE KEYPAD 3X2 LANDSCAPE
80-911-0163-00	CZONE KEYPAD 2X3 PORTRAIT
80-911-0179-00	CONTACT 6 PLUS CONNECTOR & SEAL KIT

Specifications

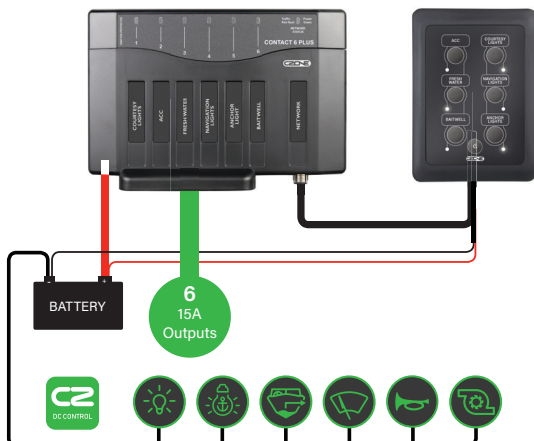
Circuit protection	ATC Fuse with Blown Fuse Alarms	Ingress protection	IPx5 (mounted vertical)
NMEA2000 connectivity	1 x CAN Micro-C port	Compliance	CE, ABYC, NMEA, ISO8846/SAEJ1171 Ignition Protected
Output wire range	0.5 - 6mm (24AWG - 8AWG)	Power consumption max	75mA
Output channels	6 x 15A 12/24V	Power consumption standby	0.3mA
Maximum current	60A Total Module Current	Warranty period	2 years
Dimming	All channels, PWM @100Hz	Operating temperature range	-15C to +55C (-5F to +131F)
Power supply	M6 (1/4") Positive Terminal (9-32V)	Storage temperature range	-40C to +85C (-40F to +185F)
Network Supply voltage	9-16V via NMEA2000	Dimensions W x H x D	202.5 x 128.5 x 45mm (7.97 x 5.06 x 1.77")
Circuit bypass	Mechanical Fuse Bypass on all Channels	Weight	600g (1.32lbs)

Dimensions



System Example

Standalone system



Networked system

