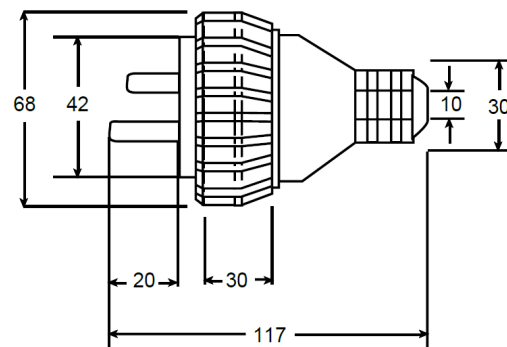
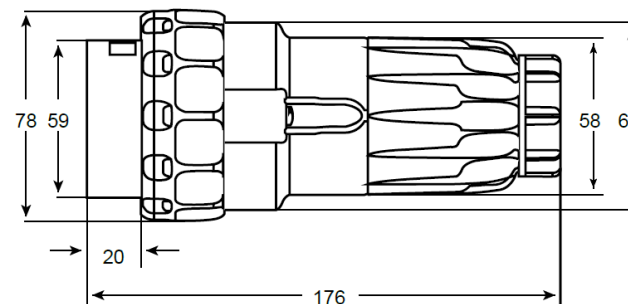


| Part Number | Flat/Round | Pins | Amps |
|-------------|------------|------|------|
| PROPO310 | Flat | 3 | 10 |
| PROPO315 | Flat | 3 | 15 |
| PROP320 | Round | 3 | 20 |
| PROP332 | Round | 3 | 32 |
| PROP410 | Round | 4 | 10 |
| PROP420 | Round | 4 | 20 |
| PROP432 | Round | 4 | 32 |
| PROP440 | Round | 4 | 40 |
| PROP450 | Round | 4 | 50 |
| PROP510 | Round | 5 | 10 |
| PROP520 | Round | 5 | 20 |
| PROP532 | Round | 5 | 32 |
| PROP540 | Round | 5 | 40 |
| PROP550 | Round | 5 | 50 |



3 Pin



4 & 5 Pin



NOTES

1. Certified to AS/NZS 3112 and AS/NZS 3100 and AS/NZS 3123
2. IP66 rating on all models
3. Rated voltage: 250V~(3P) / 500~(4P,5P)
4. Rated frequency: 50/60Hz
5. Operating Temperature -40 to 200 degrees
5. SAA151879 and SAA-151883-EA
6. 5 year limited warranty

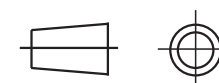


| DATE | DRAW | APPROVED | ECN NO. |
|------------|-------|----------|---------|
| 29/06/2016 | LIANA | NIK | |
| | | | |
| | | | |

| | | | | | | |
|-----------|--------------------------|----------|-------|---|----------|-----|
| PART NAME | PROTEGA INDUSTRIAL PLUGS | APPROVED | LIANA | N | MATERIAL | PC |
| | | CHECK | | | | |
| PART NO. | PROPO310 TO PROP550 | DRAW | LIANA | | SHEET | 1/1 |
| | | | | | | |



1300 304 451
www.pacificcomponents.com.au



Spec